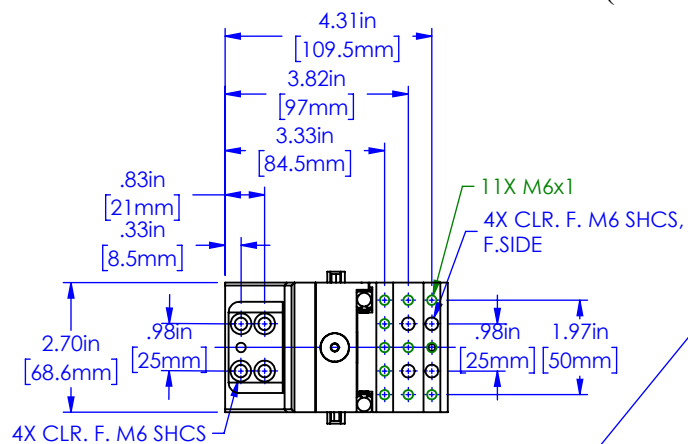


# DUAL-LS-100-FTP (AKA DUAL-LS-100-FTP-K1) (AKA LS-100-FTP-DUAL)

THIS DRAWING AND ALL DATA INCLUDED IS THE PROPERTY OF APPLIED SCIENTIFIC INSTRUMENTATION AND THE INFORMATION CONTAINED HEREIN IS FOR GENERAL PRESENTATION PURPOSES ONLY AND MAY CHANGE AT ANY TIME. CONTACT ASI OR A FACTORY REPRESENTATIVE FOR PROJECT SPECIFIC ENGINEERING.

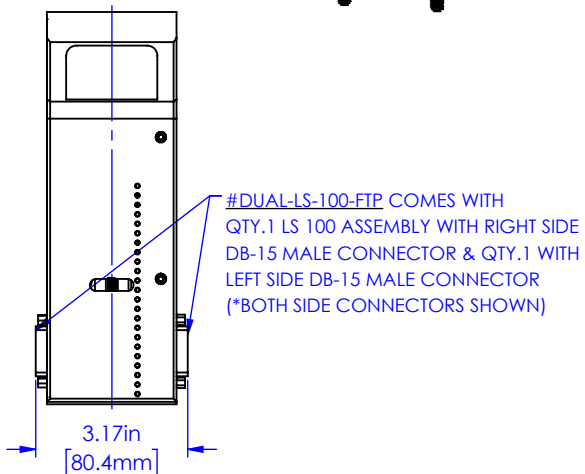
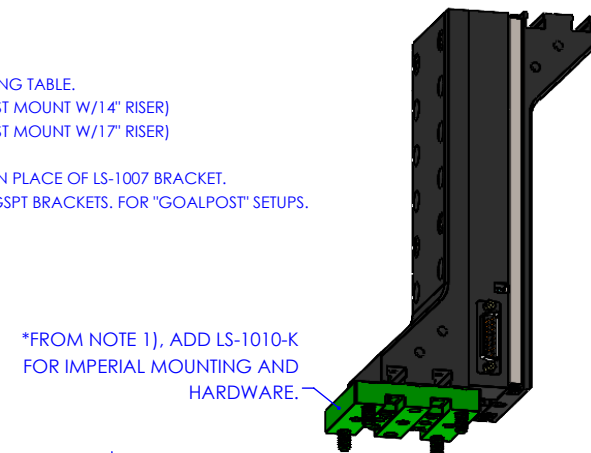
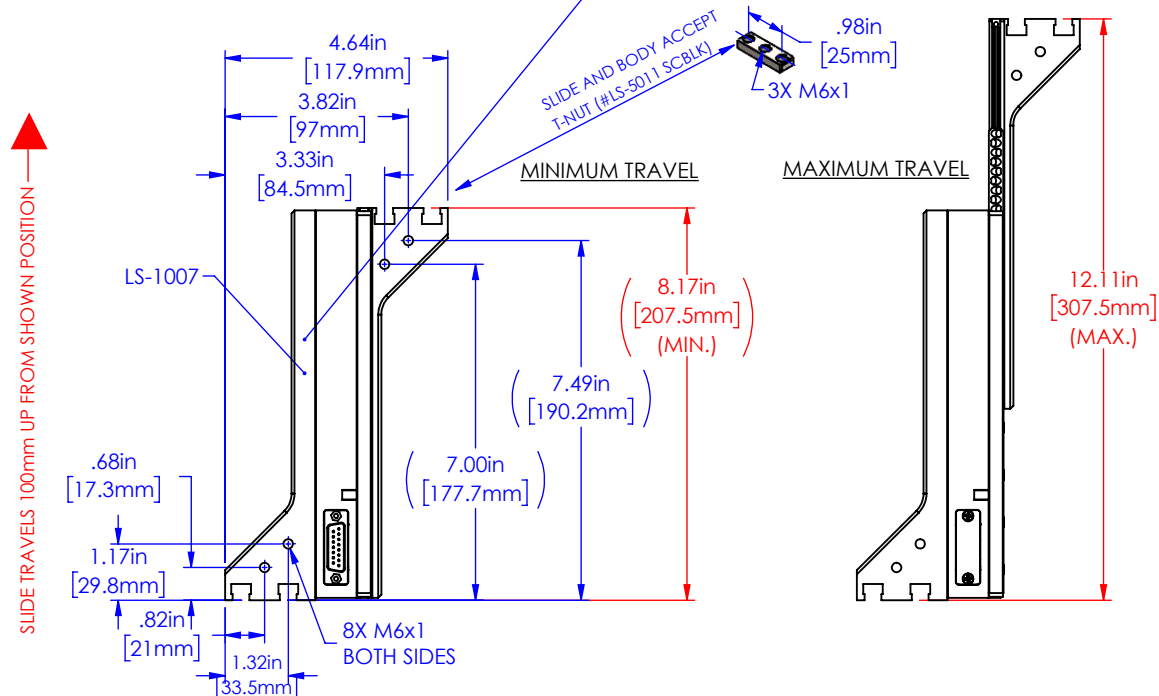


### NOTES:

- 1) REQUIRES ADDITION OF LS-1010-K TO MOUNT TO IMPERIAL BREADBOARD.
  - 2) DUAL-LS-100-FTP KIT INCLUDES PART #LS-100-AMELL & LS-100-AMERL, W/FTP SLIDE. (SHOP SLIDE#: LS-1002 HEV SLIDE)
- \*LS-100-YXXXX (PART # REFERENCE)\***  
 Y = LEAD SCREW PITCH (U - 0.635mm; A - 1.59mm; B - 6.35mm; C - 12.7mm; D - 25.4mm; S - 1.59mm SCAN-OPTIMIZED)  
 X = METRIC THREADS (M - METRIC)  
 X = TRAVEL TYPE (C - CENTERED TRAVEL, E - EXTENDED TRAVEL)  
 X = LEFT OR RIGHT SIDE CONNECTOR (L - LEFT, R - RIGHT)  
 X = BODY TYPE (H - HE BODY, L - HEV BODY)

### MOUNTING TABLE NOTE:

- #DUAL-LS-100-K0 DOES NOT INCLUDE ANY BRACKETS FOR MOUNTING TABLE.
- \*#LS-PM-KIT-14-X2 AVAILABLE FOR #DUAL-LS-100-K0 (POST MOUNT W/14" RISER)
- \*#LS-PM-KIT-17-X2 AVAILABLE FOR #DUAL-LS-100-K0 (POST MOUNT W/17" RISER)
- #DUAL-LS-100-K1 IS AS PICTURED. (WITH LS-1007 BRACKET)
- #DUAL-LS-100-K2 INCLUDES LS-5008 TALL RIGHT ANGLE BRACKETS IN PLACE OF LS-1007 BRACKET.
- #DUAL-LS-100-STGSPT-K1 INCLUDES LS-2-STGSPT SLIDE AND LS-2-STGSPT BRACKETS. FOR "GOALPOST" SETUPS.



**PROPRIETARY AND CONFIDENTIAL**  
 THE INFORMATION CONTAINED IN THIS DRAWING IS THE SOLE PROPERTY OF APPLIED SCIENTIFIC INSTRUMENTATION. ANY REPRODUCTION IN PART OR AS A WHOLE WITHOUT THE WRITTEN PERMISSION OF APPLIED SCIENTIFIC INSTRUMENTATION IS PROHIBITED.

APPLIED SCIENTIFIC INSTRUMENTATION  
 29391 W ENID RD  
 EUGENE, OR 97402-9533  
 PHONE: (541)461-8181  
 FAX: (541)461-4018

UNLESS OTHERWISE SPECIFIED  
 DIMENSIONS ARE IN INCHES  
 .xx ± .01  
 .xxx ± .005  
 .xxxx ± .0002  
 FRACTIONS ± 1/32  
 ANGLES ± 1°

**DESCRIPTION**  
 LS-100 LINEAR STAGE, WITH SUB-MICRON ACCURACY, 100 mm OF TRAVEL, METRIC THREADS, EXTENDED TRAVEL, HEV BODY, SLIDE INTEGRATED RIGHT ANGLE BRACKET

**DRAWN BY/DATE**

M.ANTHONY 7/13/23

**CHECKED BY/DATE**

V.MARSO  
 J. DANIELS 7/13/23

**SCALE**

1:4

**REV**

-

**MATERIAL**

ALUM,  
 ANODIZED BLK

**DRAWING #**

DUAL-LS-100-FTP